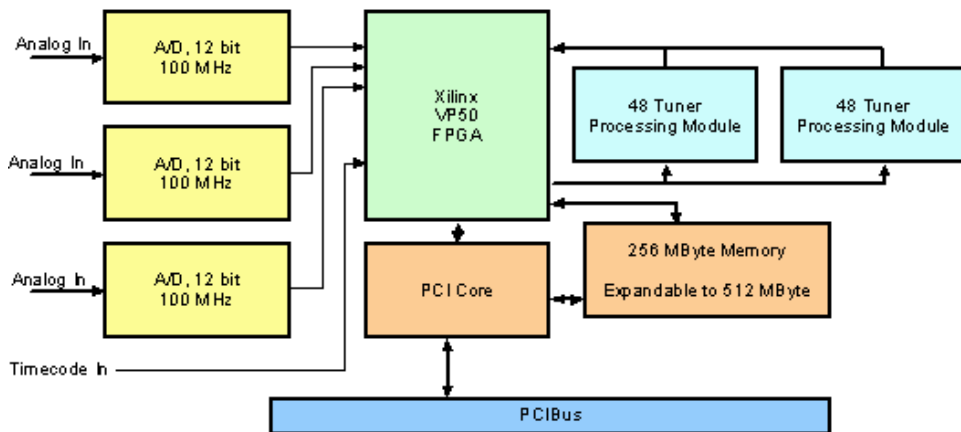
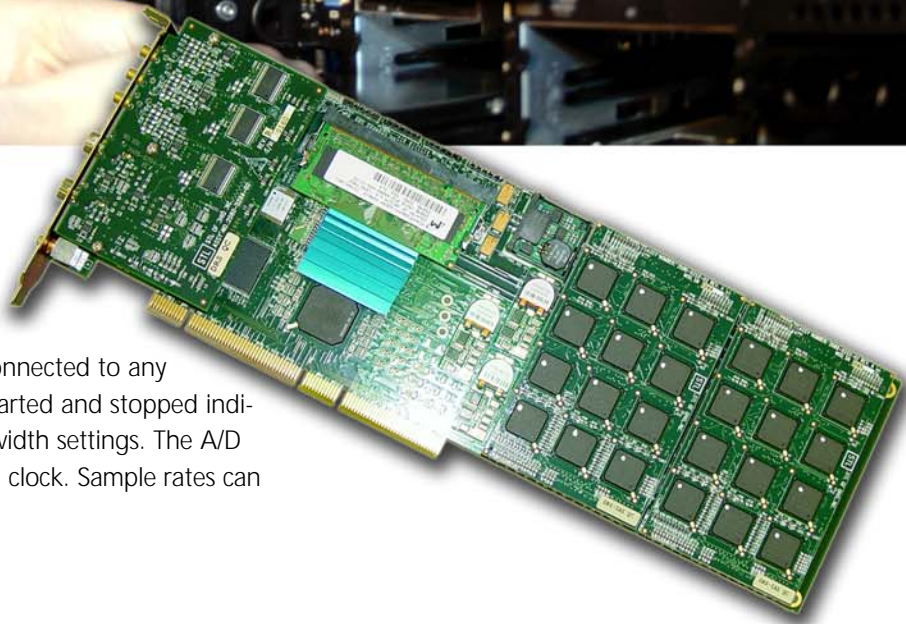




The DRS IAS Model 2080-1061 is a new high-speed PCI based Tuner system. The PCI tuner board contains 96 individual tuners, each capable of bandwidths up to 1Mhz.

Any tuner can be connected to any one of the three A/D converters. Each tuner can be started and stopped individually, tuned "On-the-Fly," and have different bandwidth settings. The A/D converters can be clocked using an external or internal clock. Sample rates can be up to 100 MHz.



DRS INTELLIGENCE & AVIONIC SOLUTIONS, INC.



Features

- Three on-board A/D Converters - Sample rates to 100 MHz
- 96 Independent Wideband Tuners
- Timecode Input
- 24 GrayChip (TI) GC4016 Quad Tuners
- Three 12-bit A/D Converters
- Use Internal or External A/D Sample Clock
- Raw Input Capture Mode
- Tuners independent. Start and stop "on-the-fly" without affecting other tuners

PCI Features

- 64-bit / 64 MHz ultra-high performance PCI Interface
- 100 independent DMA's, 96 for tuners, one time-code and three baseband capture
- PCI "Long Card" form factor
- PCI interrupt and error reporting

Applications

- Communications
- Base Stations
- Signal Processing
- Signal Intelligence

PCI Compliance

Fully complies with PCI Specification v2.1 and v2.2.

Power	5 volts @ 4.5 amps max
	3.3 volts @ 2.25 amps max
Signaling	64-Bit 66 MHz at 3.3V
	64-Bit 33 MHz at 3.3V or 5V

Device Drivers

Compact True 64 Unix (DEC):	Version 4.0f
Solaris:	Version 2.8
Redhat Linux:	Version 9.0
Redhat Enterprise	Version 3

A/D Input Module

Analog Bandwidth:	500 MHz
SNR:	67 dB @ 49 MHz AIN at 105 MSPS
SFDR:	80 dB @ 49 MHz AIN at 105 MSPS
Input Range:	2.0 v p-p
Input Clock:	Level: >1 Volt p-p
External reference clock	1-5 Volt p-p, up to 120 MHz
Internal CLK:	Programmable 10-100 MHz
Clock Rate:	100 MHz maximum
Impedance:	50 Ohms
Output:	Two's compliment or offset binary
Resolution:	12 bit

Tuner module

Tuner Chips:	Graychip 4016 Tuner
Tuners Per Module:	48 (12 Tuner Chips)
Input Sample Rate:	up to 100 MHz
Bandwidth	.4 KHz to 1 Mhz
Decimation Range:	.32 - 16,384
SFDR:	.115 dB
Out of Band Rejection:	>100 dB

Environment

Operating temperature:	.0-40 degrees C
Cooling:	.500 LFM minimum

Part Number

2080-1061	.96 Channel PCI Tuner with three A/D I/O module
-----------	---

DRS INTELLIGENCE &
AVIONIC SOLUTIONS, INC.
4391 Dayton-Xenia Road
Dayton, Ohio 45432

937.429.7408
Toll-free 800.800.3351
Fax 937.429.7176
information@drs-ias.com
www.drs-ias.com

DRS INTELLIGENCE &
AVIONIC SOLUTIONS, INC.

