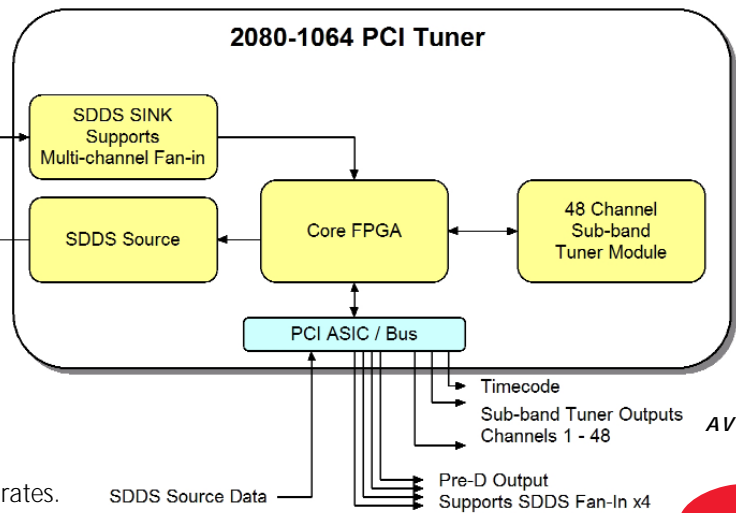




The DRS IAS Model 2080-1064 is a new PCI based digital sub-band Tuner system. The PCI tuner board supports SDDS GigE I/O and contains 48 individual tuners. Each sub-band tuner is capable of bandwidths up to 3Mhz.

SDDS Fan-In (up to four Pre-D basebands) is supported, and any tuner can be connected to any one of baseband inputs. Wideband Pre-D is also available for output along with the sub-band tuner channels. Each tuner can be started and stopped individually, tuned "On-the-Fly," and have different bandwidth settings. The 2080-1064 supports all SDDS rates.



DRS INTELLIGENCE & AVIONIC SOLUTIONS, INC.



Features

- Low Cost
- SDDS Gigabit Ethernet I/O
- Fan-In up to four basebands
- Onboard Packet Processor
all packet layers processed
onboard
- Wideband Pre-D available
for capture
- 48 Sub-band Tuners
- Individual Tuner BW up to
3 MHz
- 64-bit / 64 MHz PCI
Interface, total PCI BW up
to 400 Mbytes/sec
- Timecode Processing, inde-
pendent for each sub-band

Applications

- Communications
- Signal Processing
- Signal Intelligence

PCI Compliance

Fully complies with PCI Specification v2.1 and v2.2.

Power	5 volts @ 4.5 amps max
	3.3 volts @ 2.25 amps max
Signaling	64-Bit 66 MHz at 3.3V
	64-Bit 33 MHz at 3.3V or 5V

Device Drivers

Compact True 64 Unix (DEC):	Version 4.0f
Solaris:	Version 2.8
Redhat Linux:	Version 9.0
Redhat Enterprise	Version 3

SDDS I/O

SDDS Multi-cast:	RFC2236 / IGMPv2
VLAN Support:	IEEE 802.1Q
GigE Fiber:	LC on card, SC to LC optional
GigE Copper:	RJ45
Data Rates:	All rates up to 100 MHz at 8-bits
Bit Widths:	All SDDS Bit Widths supported

Tuner module

Tuner Chips:	Graychip 4016 Tuner
Tuners Per Module:	48 (12 Tuner Chips)
Input Sample Rate:	up to 100 MHz
Bandwidth	.4 Khz to 3 Mhz
Decimation Range:	.8 - 16,384
SFDR:	.115 dB
Out of Band Rejection:	>100 dB

Environment

Operating temperature:	.0-40 degrees C
Cooling:	.500 LFM minimum

Part Number

2080-1064	.48 Channel PCI Tuner with SDDS I/O module
-----------	--

DRS INTELLIGENCE &
AVIONIC SOLUTIONS, INC.
4391 Dayton-Xenia Road
Dayton, Ohio 45432

937.429.7408
Toll-free 800.800.3351
Fax 937.429.7176
information@drs-ias.com
www.drs-ias.com

DRS INTELLIGENCE &
AVIONIC SOLUTIONS, INC.

